

TBG01202B

TBG01202B



Comfort Wave



Reduce The Water Technology

FEATURES

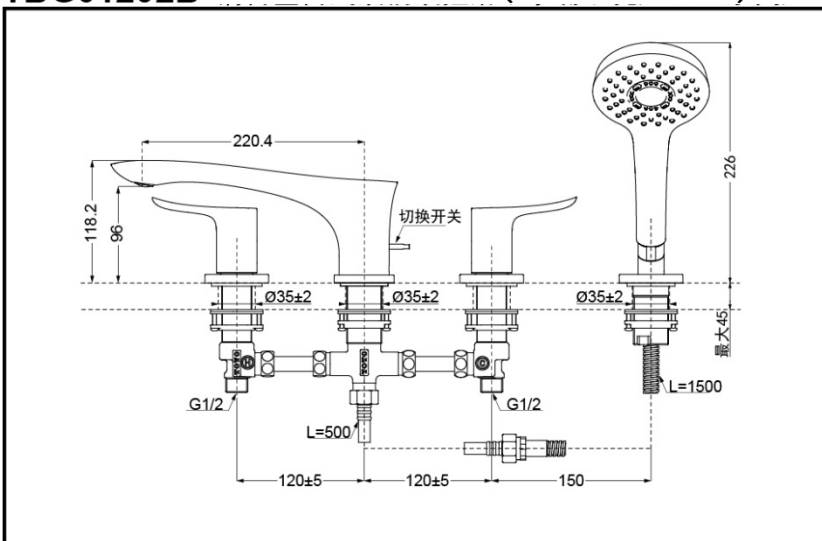
- Elegant appearance.
- Beautiful curves reveal elegant taste.
- Easy installation and usage.

SPECIFICS

Water Inlet Requirement :
0.05MPa(Dynamic Pressure)~1.0MPa(Static Pressure)

Water Efficiency :
Grade1(Hand Shower)

TBG01202B Deck-Mount Tub Filler(W/ Hand Shower)



*TOTO(CHINA) CO.,LTD. All rights reserved.

Others

Series : GO